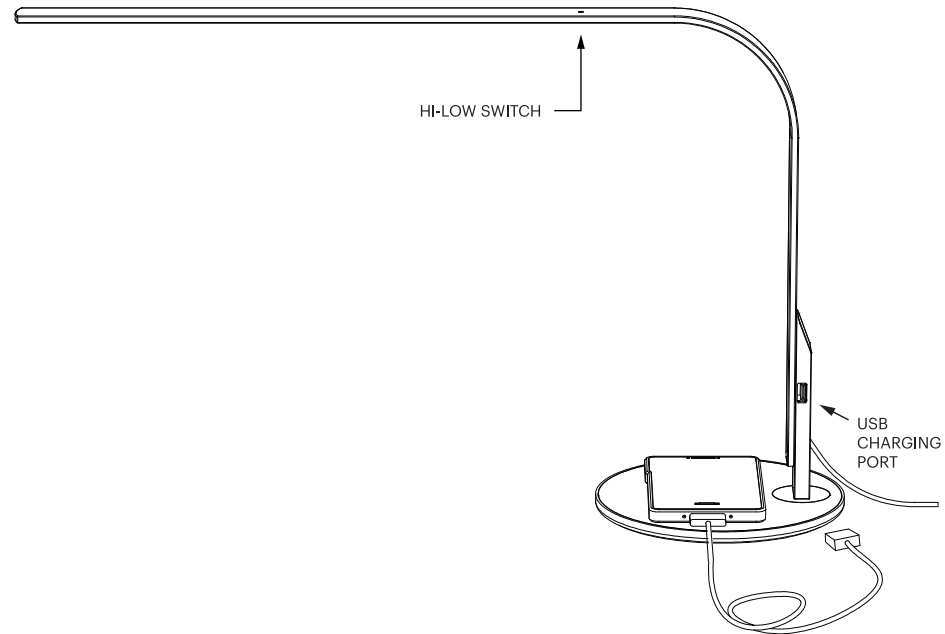


Pablo®
LIM360

Pablo®

LIM360 USB CHARGING



LIM360

ASSEMBLY & INSTALLATION INSTRUCTIONS

HIGHLIGHTS

SINGLE 5.0V USB OUTPUT SUPPORTS CHARGING FOR SMARTPHONES AND OTHER SIMILAR MOBILE DEVICES.

SPECIFICATIONS

USB 2.0 OR 1.1 STANDARD CORD REQUIRED
OUTPUT VOLTAGE: 5VDC + - 5%
OUTPUT CURRENT: 1A MAX

NOTE

LIM360 WILL CONTINUE TO CHARGE YOUR MOBILE DEVICE EVEN WHEN LAMP IS IN THE "OFF" POSITION.

PLEASE REFER TO YOUR MOBILE DEVICE'S USER MANUAL FOR COMPATIBILITY AND CHARGING TIME. PLEASE REFRAIN FROM LEAVING YOUR DEVICE PLUGGED IN FOR LONGER THAN THE RECOMMENDED TIME, OTHERWISE IT MAY RESULT IN OVER CHARGING.

PRESS AND HOLD SWITCH FOR 2.5 SECONDS TO TURN OFF. PRESS BRIEFLY TO CYCLE THROUGH THREE STAGES.

CARE INSTRUCTIONS

WIPE CLEAN WITH A SOFT DAMP CLOTH. AVOID AMMONIA-BASED CLEANERS.

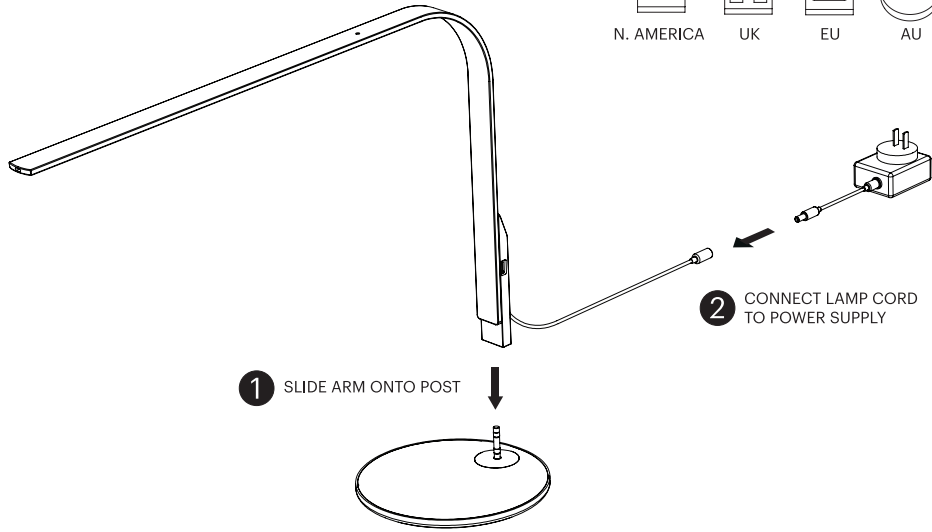
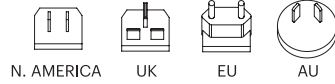
INFO@PABLODESIGNS.COM
888 MARIN STREET
SAN FRANCISCO, CA
94124

PABLODESIGNS.COM

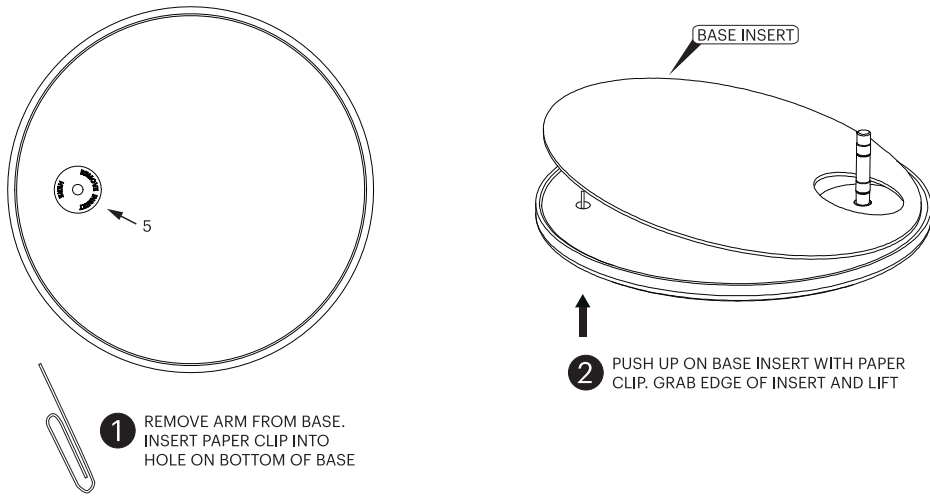


Pablo[®] LIM360

PLUG TYPES AVAILABLE:



LIM360 BASE INSERT REMOVAL



NOTE: BASE INSERT IS MAGNETICALLY ATTACHED FOR EASY REPLACEMENT. REMOVAL OF INSERT IS INTENDED FOR CLEANING AND REPLACEMENT PURPOSES. CONTACT MANUFACTURER TO ORDER REPLACEMENT INSERTS.

Pablo[®] LIM360

