

Pablo®

# LIGHT BENCH

## ASSEMBLY & INSTALLATION INSTRUCTIONS

INFO@PABLODESIGNS.COM  
888 MARIN STREET  
SAN FRANCISCO, CA  
94124

PABLODESIGNS.COM



APPROVED COMPONENTS

# LIGHT BENCH

1. PLACE BODY ON SOFT SURFACE, ACRYLIC SIDE DOWN, AND POSITION LEGS OVER EACH END
2. PLACE HEX SCREWS AND MACHINED WASHERS IN CORRESPONDING HOLES AND TIGHTEN BY HAND
3. PLACE PHILLIPS SCREWS AND LOCK WASHERS IN CORRESPONDING HOLES AND TIGHTEN BY HAND
4. ONCE ALL SCREWS ARE IN PLACE WITH THREADS ENGAGED, TIGHTEN WITH HEX KEY AND PHILLIPS SCREW DRIVER UNTIL ALL SCREWS ARE SECURE

**BULB TYPE**

2X T8 WHITE FLUORESCENT 3000K / MEDIUM BI-PIN

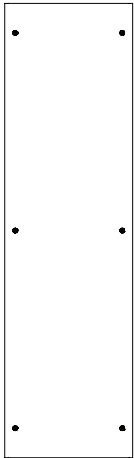


**CARE INSTRUCTIONS**

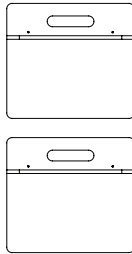
WIPE CLEAN WITH A SOFT DAMP CLOTH.  
AVOID AMMONIA-BASED CLEANERS.

**PARTS**

1X BODY

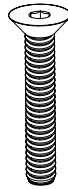


2X LEGS

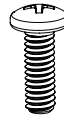


**HARDWARE**

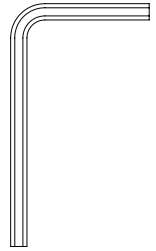
4X HEX SCREWS  
1/4"-20 X 1 1/2"



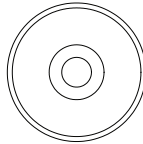
4X PHILLIPS SCREWS  
1/4"-20 X 3/4"



1X 5/32 HEX KEY



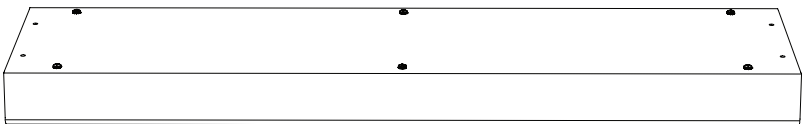
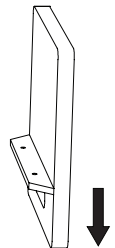
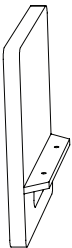
4X MACHINED  
WASHERS



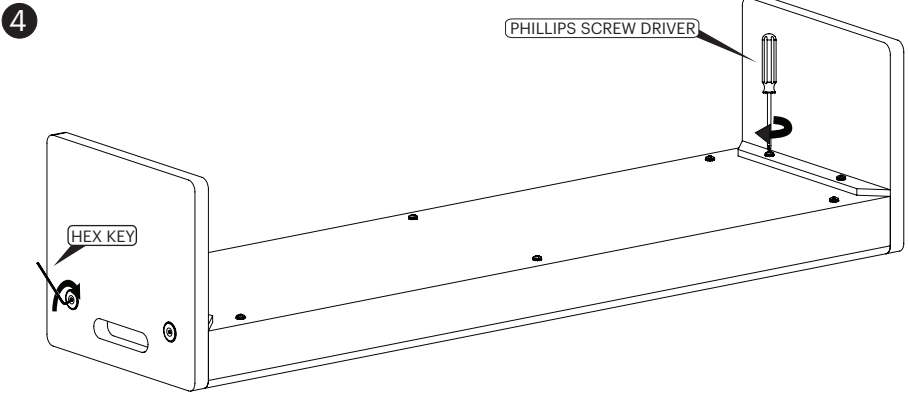
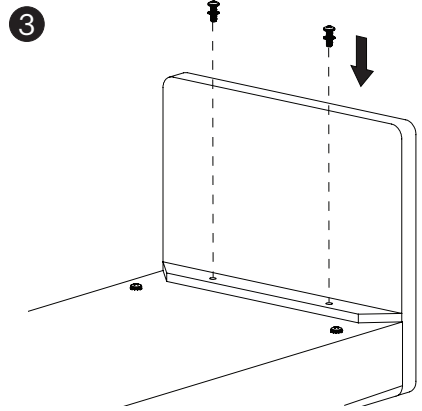
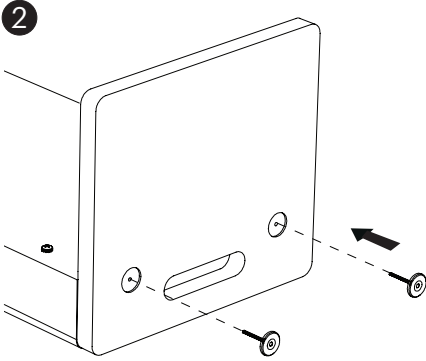
4X LOCK  
WASHERS



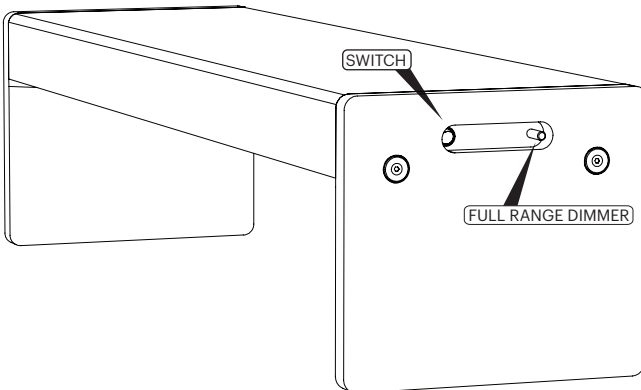
**1**



# LIGHT BENCH



## LIGHT CONTROL



# LIGHT BENCH

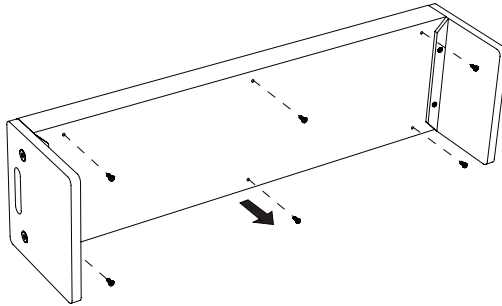
1. LAY LIGHT BENCH ON SIDE AND REMOVE THE SIX SCREWS ON THE UNDERSIDE
2. CAREFULLY ROTATE LIGHT BENCH TO UPRIGHT POSITION AND LIFT BENCH TOP OFF BODY
3. PEEL BACK PROTECTIVE TAPE AND TWIST BULBS TO REMOVE FROM SOCKET
4. INSERT NEW BULBS, CAREFULLY PLACE BENCH TOP ON BODY, INSERT AND TIGHTEN SCREWS ON UNDERSIDE

**BULB TYPE**

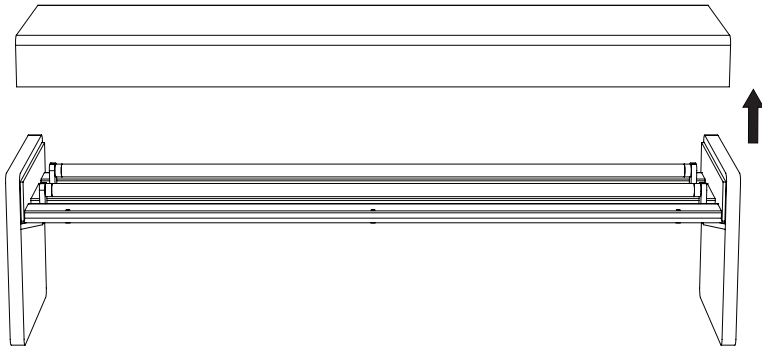
2X T8 WHITE FLUORESCENT 3000K / MEDIUM BI-PIN



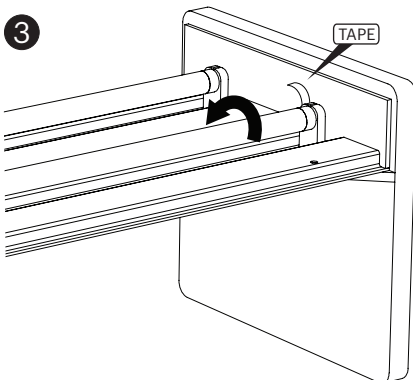
1



2



3



4

