

Pablo®

# GRID

## ASSEMBLY & INSTALLATION INSTRUCTIONS

INFO@PABLODESIGNS.COM  
888 MARIN STREET  
SAN FRANCISCO, CA  
94124

PABLODESIGNS.COM

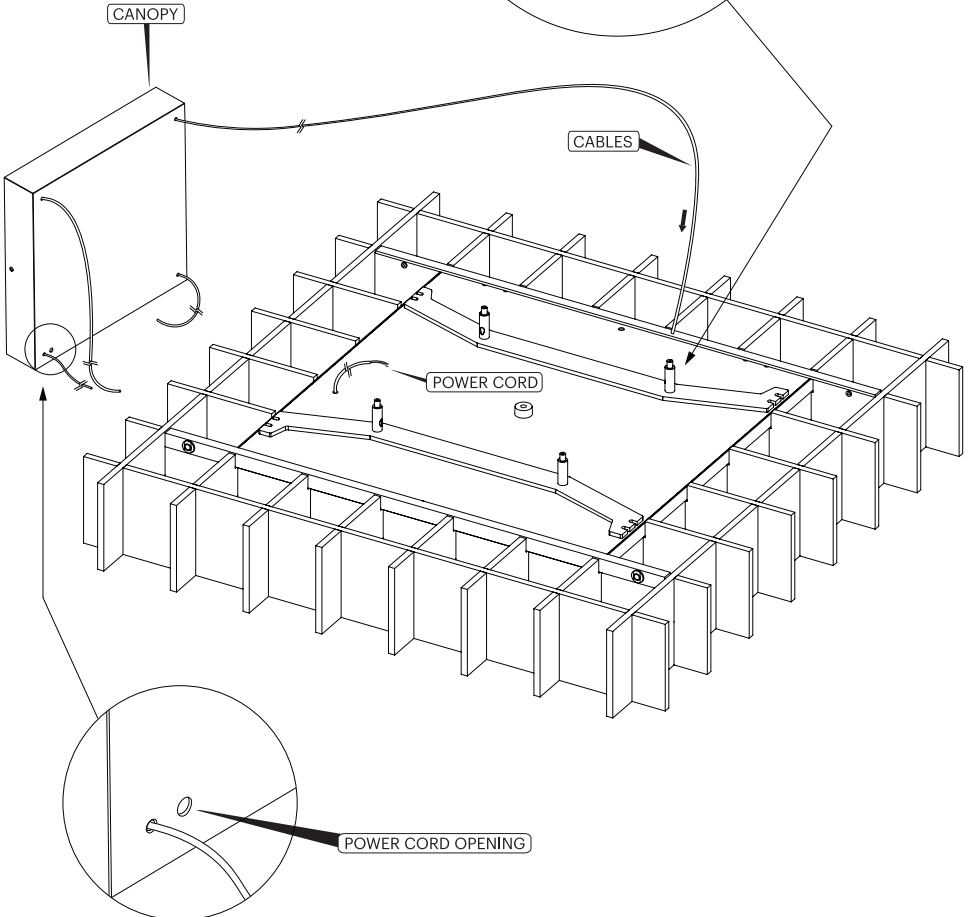
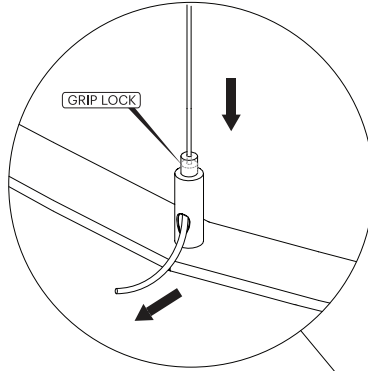


# Pablo® GRID

**IMPORTANT: WE RECOMMEND CEILING MOUNTING  
BE INSTALLED BY AN ELECTRICIAN**

- 1** SLIDE CORRESPONDING CABLES INTO GRIP LOCKS. PUSH DOWN ON SLEEVE AND PUSH CABLE 1 INCH THROUGH BOTTOM HOLE. DO NOT CUT TO LENGTH.

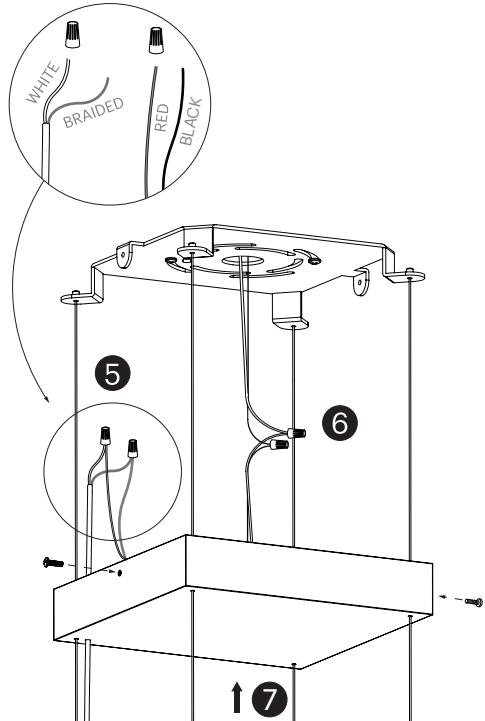
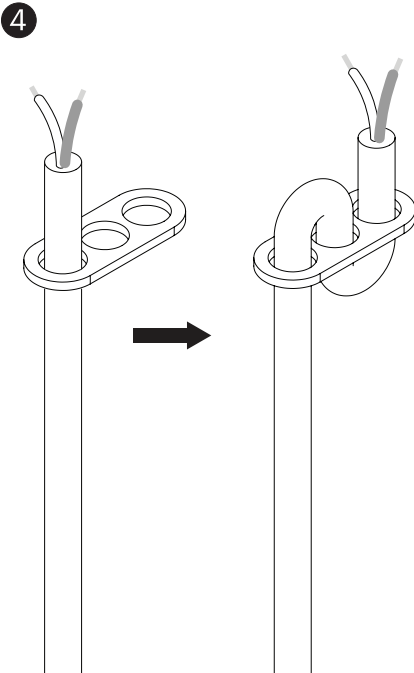
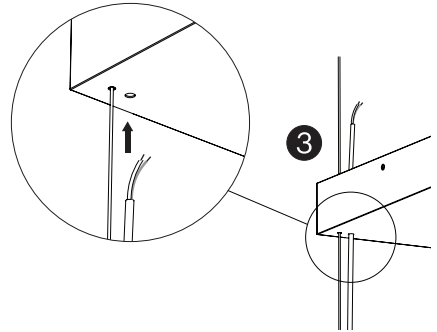
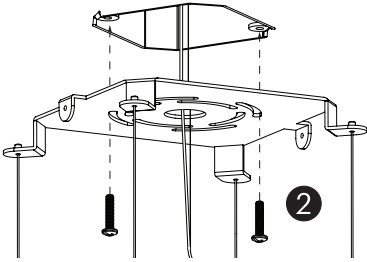
MAKE SURE TO ORIENT CANOPY POWER CORD  
OPENING AND POWER CORD TOGETHER.



**NOTE: IT IS RECOMMENDED THAT THE GRID IS INSTALLED  
BY TWO PEOPLE.**

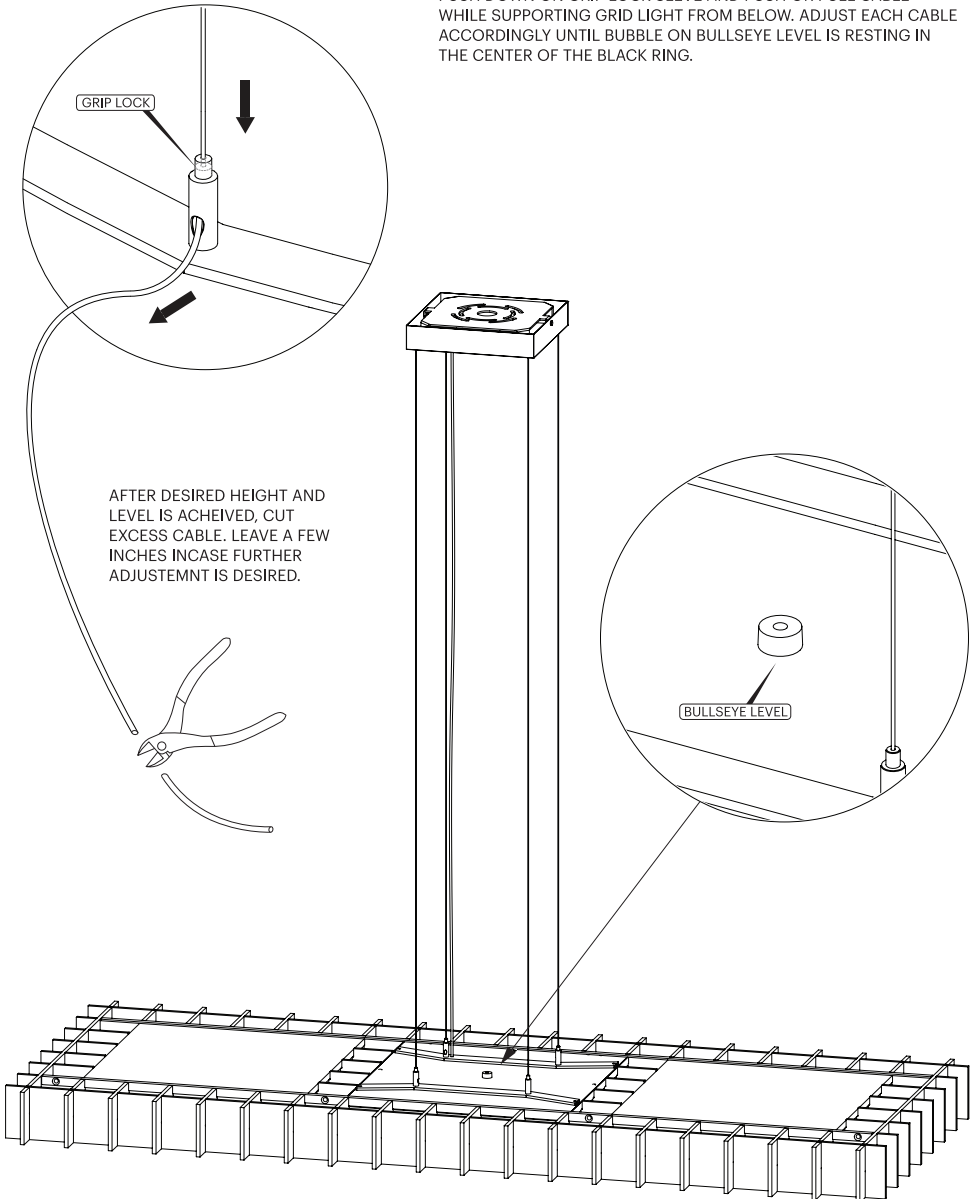
# Pablo® GRID

2. ATTACH MOUNTING PLATE TO JUNCTION BOX
3. SLIDE POWER CORD THROUGH CANOPY POWER CORD OPENING
4. FEED POWER CORD THROUGH STRAIN RELIEF AS SHOWN
5. WIRE POWER CORD TO TRANSFORMER (RED TO WHITE AND BLACK TO BRAIDED)
6. WIRE TRANSFORMER TO JUNCTION BOX (BLUE TO BLACK AND BROWN TO RED)
7. SLIDE CANOPY UPWARDS AND ATTACH TO MOUNTING PLATE.



# Pablo® GRID

USE THE ATTACHED BULLSEYE LEVEL DURING HEIGHT ADJUSTMENT. PUSH DOWN ON GRIP LOCK SLEAVE AND PUSH OR PULL CABLE WHILE SUPPORTING GRID LIGHT FROM BELOW. ADJUST EACH CABLE ACCORDINGLY UNTIL BUBBLE ON BULLSEYE LEVEL IS RESTING IN THE CENTER OF THE BLACK RING.



LENGTH OF CORD SUPPLIED  
10FT (305CM)

CARE:  
WIPE WITH A CLEAN, DRY CLOTH.