

Pablo®

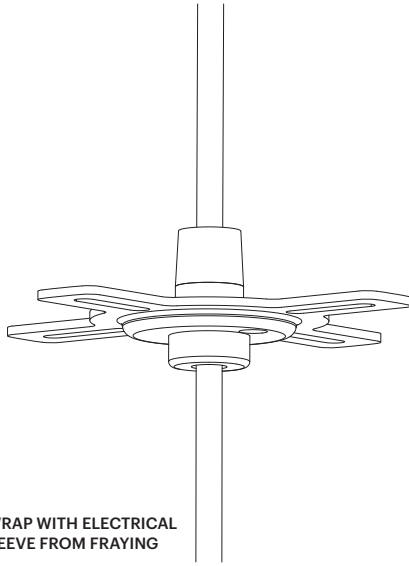
CIELO

120V / 220V ASSEMBLY & INSTALLATION INSTRUCTIONS



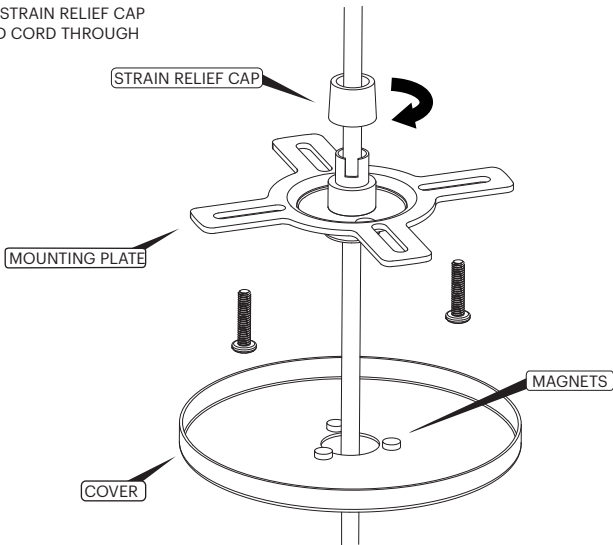
Pablo®

CIELO



NOTE: BEFORE CUTTING CORD, WRAP WITH ELECTRICAL TAPE TO PREVENT THE FABRIC SLEEVE FROM FRAYING

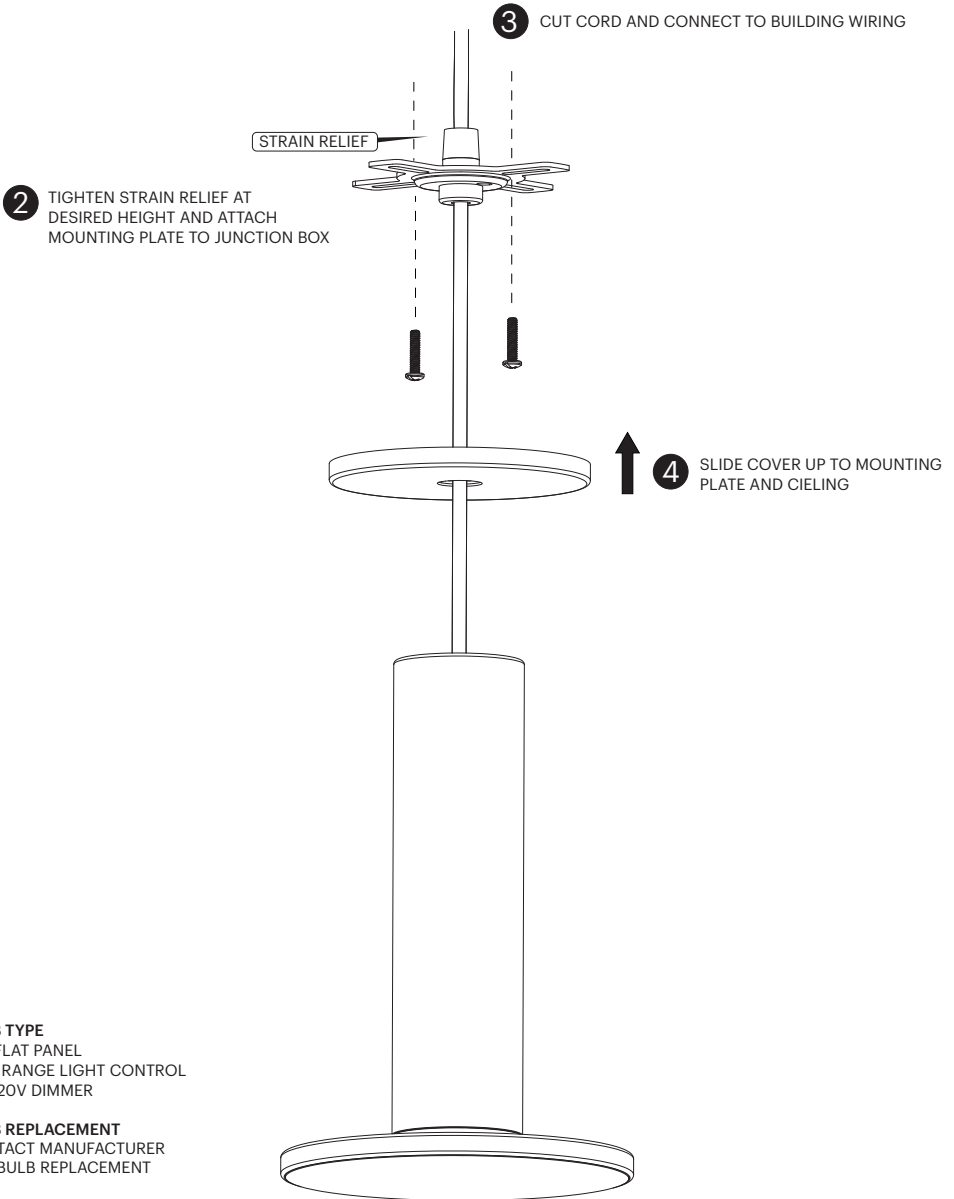
- 1** LOOSEN STRAIN RELIEF CAP AND FEED CORD THROUGH



Pablo®

CIELO

**IMPORTANT: WE RECOMMEND CEILING MOUNTING
BE INSTALLED BY AN ELECTRICIAN**



BULB TYPE
LED FLAT PANEL
FULL RANGE LIGHT CONTROL
VIA 120V DIMMER

BULB REPLACEMENT
CONTACT MANUFACTURER
FOR BULB REPLACEMENT

LENGTH OF CORD SUPPLIED
10FT (305CM)

Pablo®

CIELO CHANDELIER

120V ASSEMBLY & INSTALLATION INSTRUCTIONS

INFO@PABLODESIGNS.COM
888 MARIN STREET
SAN FRANCISCO, CA
94124

PABLODESIGNS.COM

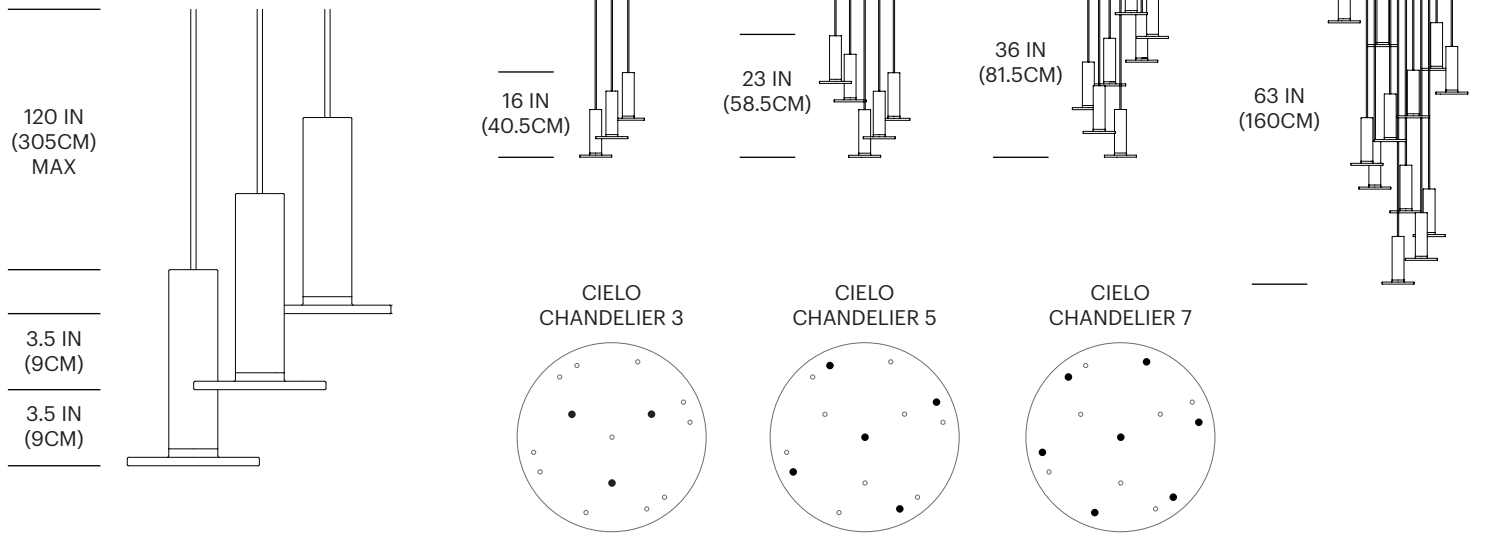


CIELO CHANDELIER

IMPORTANT: WE RECOMMEND FIXTURE BE INSTALLED BY AN ELECTRICIAN. CIELO CHANDELIER 13 MUST BE SECURELY ANCHORED TO 150LBS RATED JUNCTION BOX OR MOUNTED TO CEILING STUDS.

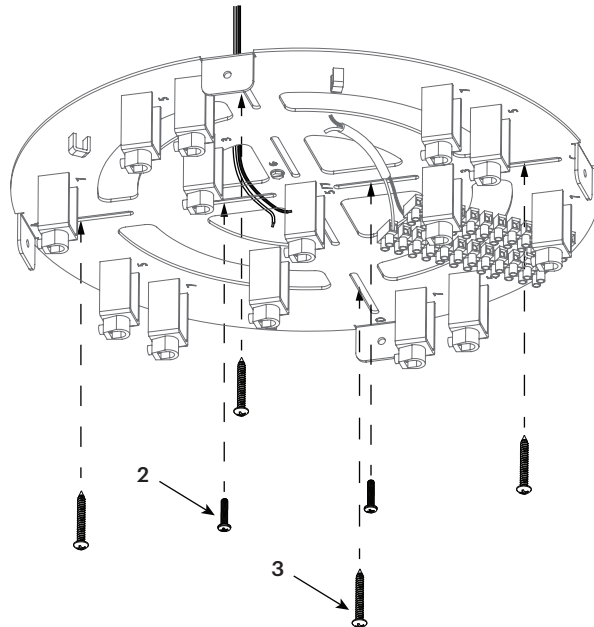
SUGGESTED HANGING CONFIGURATIONS

1. DETERMINE APPROPRIATE HEIGHT ABOVE SURFACE FOR LOWEST LAMP
2. SPACE EACH LAMP 3.5 INCHES (9CM) ABOVE THE PREVIOUS LAMP
3. MOVE UPWARDS IN A SPIRAL PATTERN



NOTE: CIELO CHANDELIERS 3, 5 AND 7 HAVE NUMBERS ON THE MOUNTING PLATE TO INDICATE WHICH HOLES ARE USED. CHANDELIER 13 DOES NOT HAVE NUMBERS ON MOUNTING PLATE, ALL HOLES ARE USED

1 ROUTE BUILDING WIRING THROUGH MOUNTING PLATE



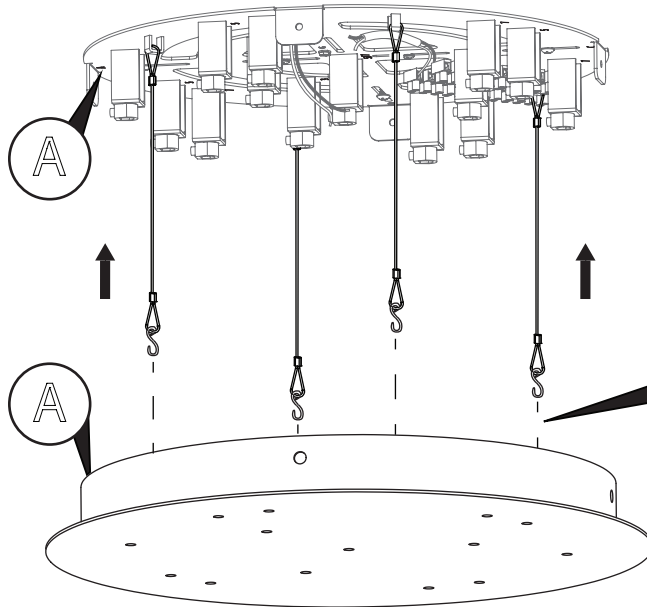
2 ATTACH PLATE TO JUNCTION BOX WITH PROVIDED JUNCTION BOX MACHINE SCREWS

3 ANCHOR PLATE INTO CEILING STUDS WITH PROVIDED WOOD SCREWS IF POSSIBLE. IF NOT, USE PROVIDED CEILING ANCHORS AND WOOD SCREWS TO SECURE PLATE TO CEILING

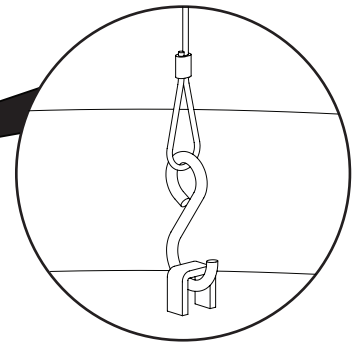
NOTE: INSTALLATION REQUIRES STANDARD PHILLIPS HEAD SCREW DRIVER AND #2 FLAT HEAD SCREW DRIVER

CIELO CHANDELIER

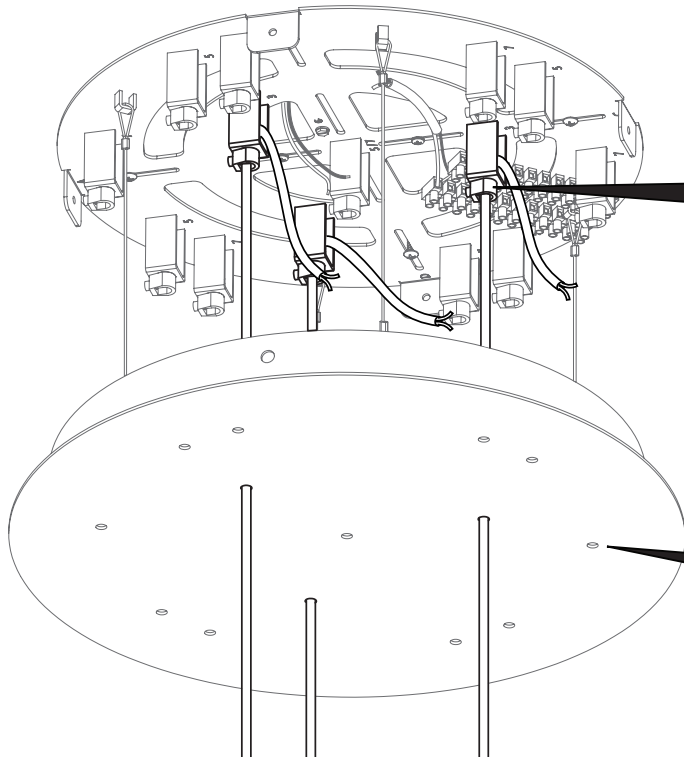
- 4** ALIGN LETTERS ON MOUNTING PLATE WITH CORRESPONDING LETTERS ON CANOPY COVER



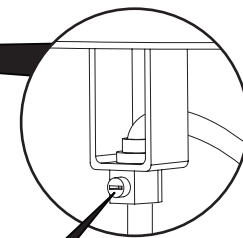
- 5** ATTACH CABLE HOOKS TO CABLE MOUNTS ON CANOPY COVER TO SUPPORT CANOPY COVER DURING INSTALLATION. CABLE HOOKS MUST REMAIN ATTACHED TO CANOPY COVER TO ENSURE SAFE INSTALLATION



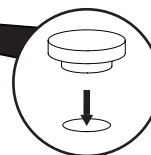
NOTE: CIELO CHANDELIER 13 DOES NOT HAVE LETTERS ON CANOPY COVER AND MOUNTING PLATE. ALIGN HOLES AND ASSEMBLE



- 6** USING THE NUMBERS ON THE MOUNTING PLATE AS A GUIDE, FEED PENDANT CORDS THROUGH ASSIGNED NUMBERED HOLES IN CANOPY COVER AND STRAIN RELIEFS



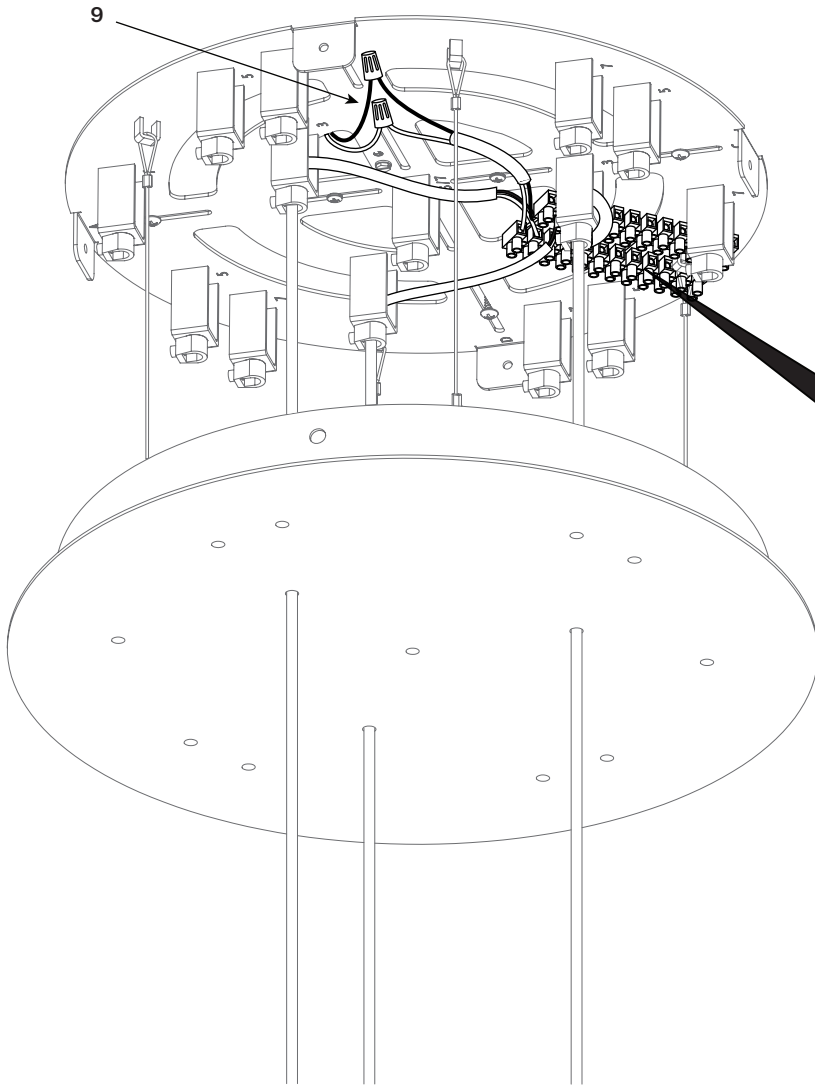
- 7** PULL PENDANTS TO DESIRED HEIGHT REFERENCING SUGGESTED HANGING CONFIGURATIONS. USE #2 FLAT HEAD SCREW DRIVER TO SET STRAIN RELIEFS



- 8** PRESS RUBBER PLUGS INTO UNUSED HOLES FROM INSIDE OF CANOPY COVER

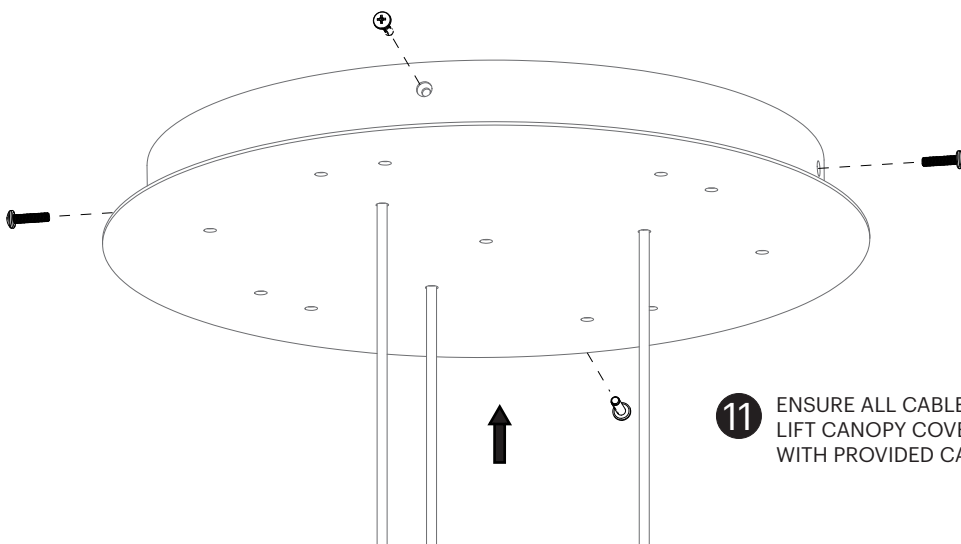
NOTE: INSTALLATION SHOWN IS FOR CIELO CHANDELIER 3. FOR CIELO CHANDELIERS 5, 7 AND 13, FOLLOW THE SAME WIRING PROCESS USING THE HOLE PLACEMENT OUTLINED IN SUGGESTED HANGING CONFIGURATIONS

CIELO CHANDELIER



9 CUT CORDS TO REACH 12-PORT TERMINAL BLOCKS, ALLOWING FOR 3" OF EXTRA CORD PAST TERMINAL BLOCKS. STRIP CORDS SO LEAD WIRES ARE EXPOSED, THEN WIRE CORDS TO TERMINAL BLOCKS AS SHOWN AND SECURE WITH #2 FLAT HEAD SCREW DRIVER

10 CONNECT BUILDING WIRING TO LEAD WIRE USING PROVIDED WIRE NUTS



11 ENSURE ALL CABLES AND CORDS ARE TUCKED WITHIN CANOPY COVER. LIFT CANOPY COVER UP TO CEILING AND SECURE TO MOUNTING PLATE WITH PROVIDED CANOPY COVER MACHINE SCREWS