

Pablo®

CIELO XL

120/240 ASSEMBLY & INSTALLATION INSTRUCTIONS

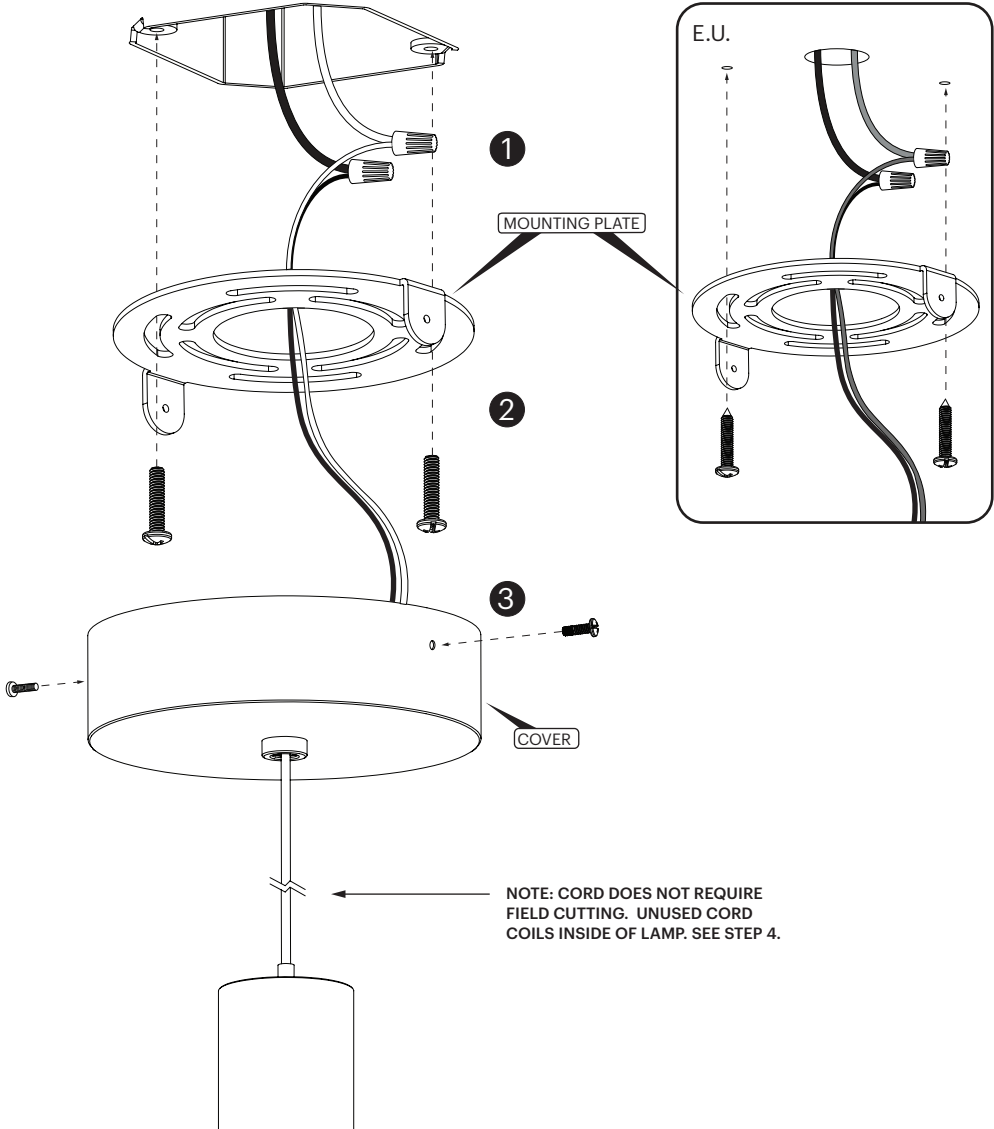


CIELO XL

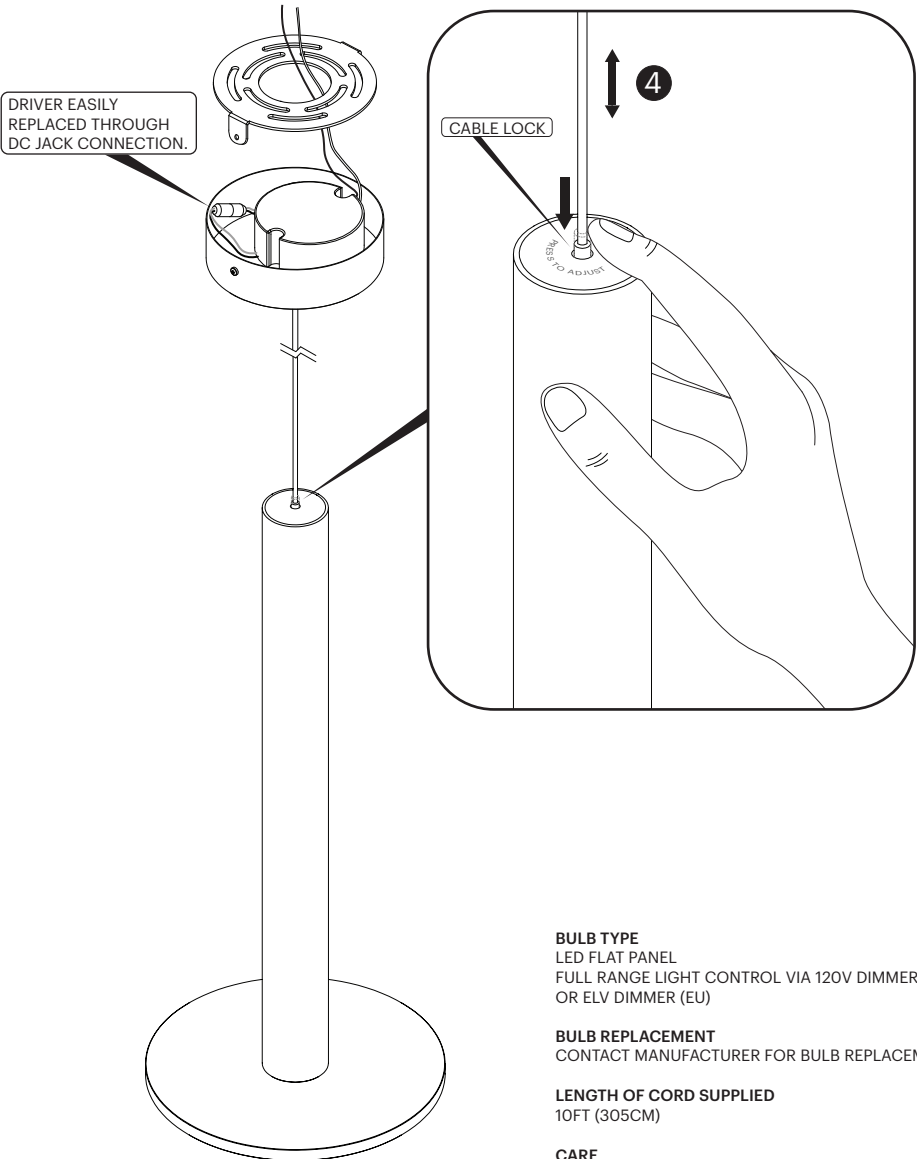
1. WIRE LAMP TO JUNCTION BOX/ BUILDING
US: BLACK TO BLACK AND WHITE TO WHITE
EU: BLUE TO BLACK AND BROWN TO RED
2. ATTACH MOUNTING PLATE TO JUNCTION BOX
3. SCREW CANOPY TO MOUNTING PLATE
4. TO ADJUST LAMP HEIGHT: PRESS DOWN ON SILVER CABLE LOCK AND PUSH OR PULL CORD SLOWLY INTO LAMP. EXTRA CABLE COILS INSIDE OF LAMP

NOTE: CORD DOES NOT REQUIRE FIELD CUTTING. CANOPY STRAIN RELIEF DOES NOT NEED ADJUSTMENT.

IMPORTANT: WE RECOMMEND CEILING MOUNTING BE INSTALLED BY AN ELECTRICIAN



CIELO XL



Pablo®

CIELO XL

INFO@PABLODESIGNS.COM
888 MARIN STREET
SAN FRANCISCO, CA
94124

PABLODESIGNS.COM
PABLODESIGNS.EU