

Pablo®

GIRAFFA

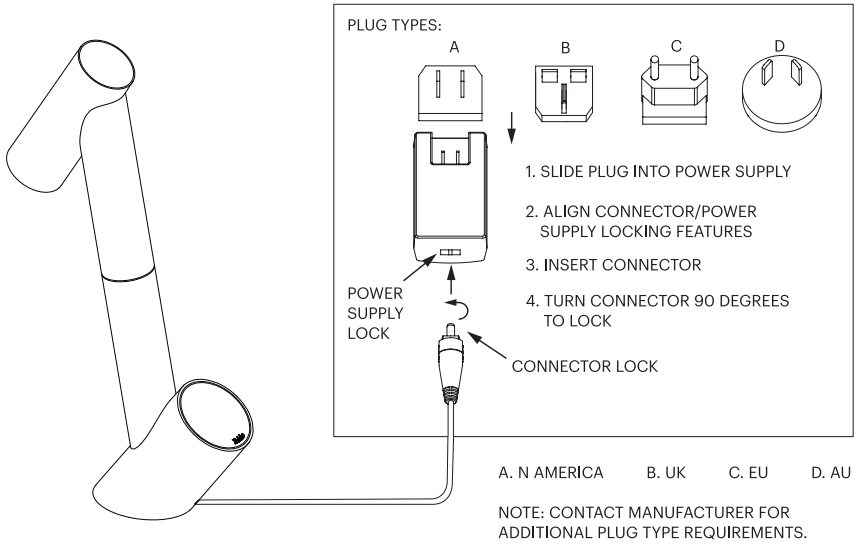
ASSEMBLY & INSTALLATION INSTRUCTIONS



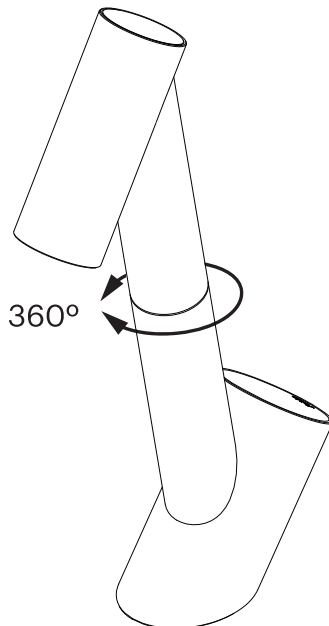
Pablo®

GIRAFFA

ASSEMBLY



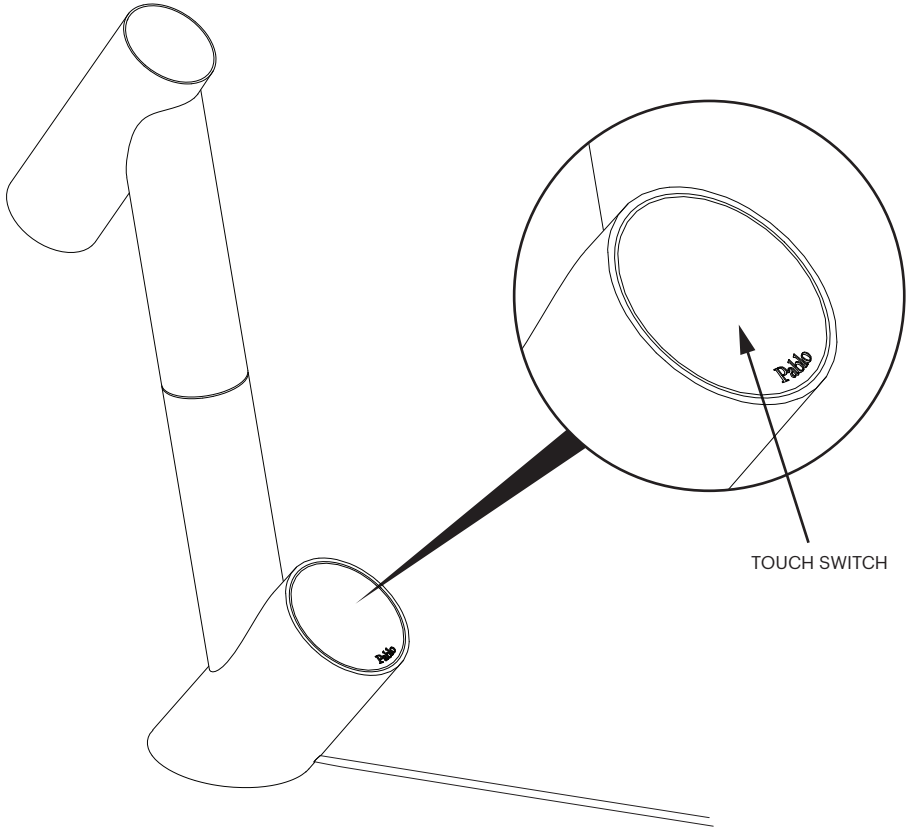
ADJUSTMENT



Pablo®

GIRAFFA

GIRAFFA SWITCH FUNCTION



SWITCH FUNCTION

TOUCH SWITCH BRIEFLY TO CYCLE THROUGH HIGH, LOW AND OFF. TOUCH AND HOLD SWITCH TO ACTIVATE FULL RANGE DIM CONTROL. RELEASE FINGER FROM SWITCH WHEN DESIRED LIGHT LEVEL IS REACHED.

CARE INSTRUCTIONS

WIPE CLEAN WITH A SOFT DAMP CLOTH. AVOID AMMONIA-BASED CLEANERS.

Pablo®

GIRAFFA

INFO@PABLODESIGNS.COM
888 MARIN STREET
SAN FRANCISCO, CA
94124

PABLODESIGNS.COM