

Pablo®

VELLA

ASSEMBLY & INSTALLATION INSTRUCTIONS

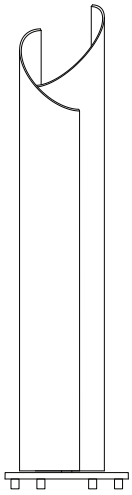
INFO@PABLODESIGNS.COM  
888 MARIN STREET  
SAN FRANCISCO, CA  
94124

PABLODESIGNS.COM

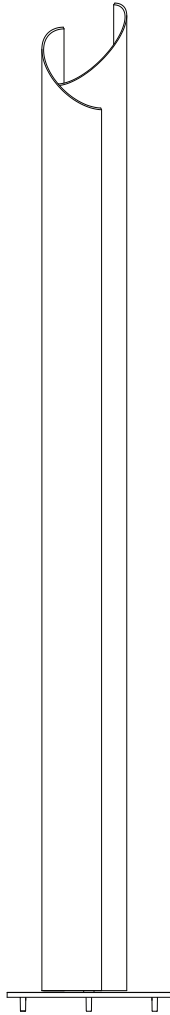


# Pablo® VELLA

## VELLA MODELS

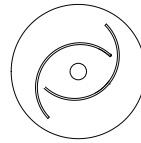


TABLE

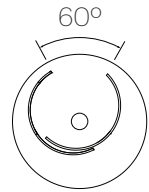


FLOOR

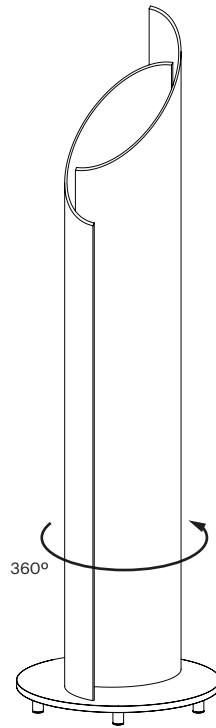
## ADJUSTMENT



CLOSED



OPEN



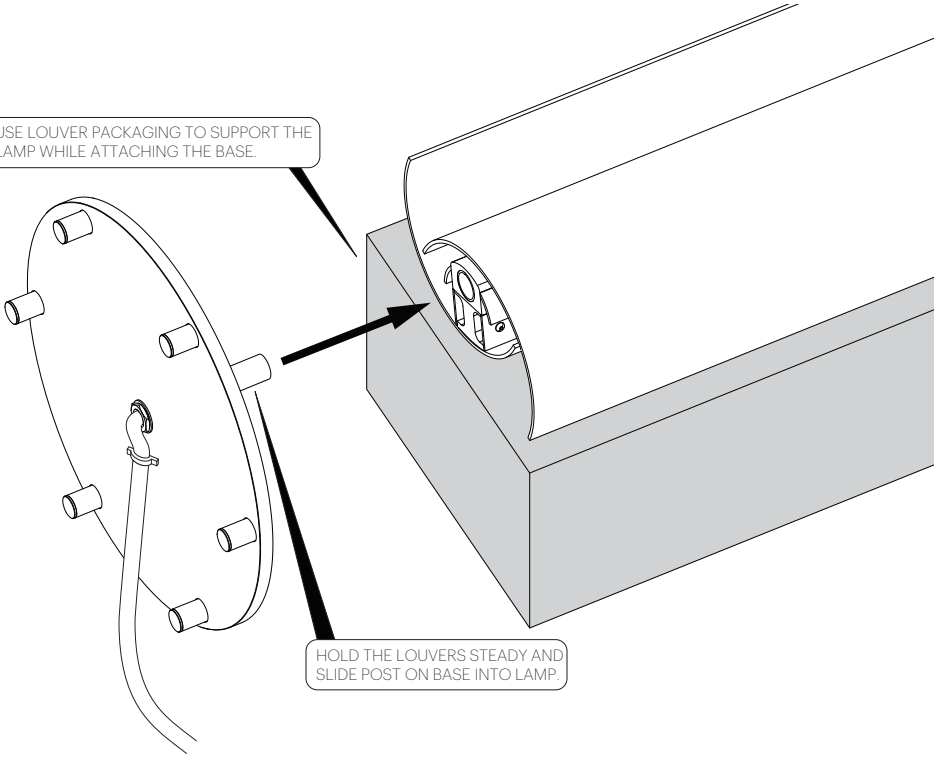
360° ROTATION ON BASE

# Pablo® VELLA

## VELLA FLOOR ASSEMBLY

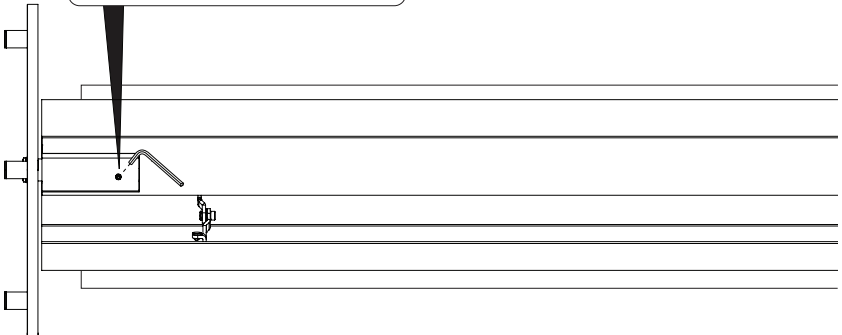
1

USE LOUVER PACKAGING TO SUPPORT THE LAMP WHILE ATTACHING THE BASE.



2

SECURE BASE TO LOUVERS BY TIGHTENING SET SCREW WITH THE INCLUDED ALLEN KEY.



# Pablo®

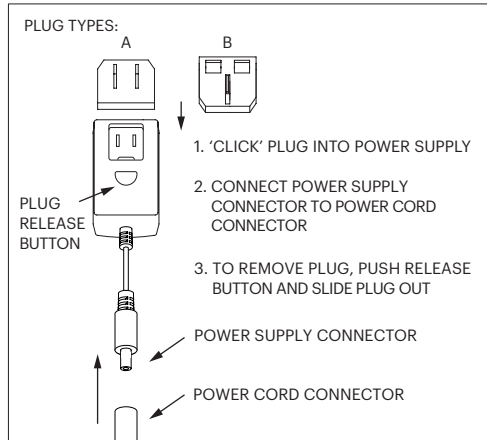
## DIMMER FUNCTION

PRESS DIMMER BRIEFLY TO CYCLE THROUGH HIGH, LOW AND OFF. PRESS AND HOLD DIMMER TO ACTIVATE FULL RANGE DIM CONTROL. RELEASE DIMMER WHEN DESIRED LIGHT LEVEL IS REACHED.

## CARE INSTRUCTIONS

WIPE CLEAN WITH A SOFT DAMP CLOTH. AVOID AMMONIA-BASED CLEANERS.

NOTE: VELLA FLOOR USES 24W POWER SUPPLY



A. N AMERICA B. UK C. EU D. AU

NOTE: CONTACT MANUFACTURER FOR ADDITIONAL PLUG TYPE REQUIREMENTS.

