

Pablo®

TUBE TOP PENDANT

120V ASSEMBLY & INSTALLATION INSTRUCTIONS

INFO@PABLODESIGNS.COM
888 MARIN STREET
SAN FRANCISCO, CA
94124

PABLODESIGNS.COM



APPROVED COMPONENTS

TUBE TOP PENDANT

1. CUT CORD TO DESIRED LENGTH
2. LOOSEN STRAIN RELIEF CAP AND FEED CORD THROUGH
3. TIGHTEN STRAIN RELIEF AND ATTACH MOUNTING PLATE TO JUNCTION BOX
4. CONNECT TO BUILDING WIRING
5. SLIDE COVER UP TO CEILING

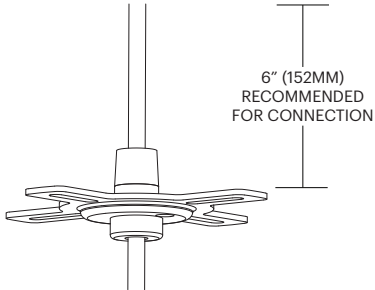
BULB TYPE
TTP 7: 1X 57W BT - 15/120V HALOGEN

CORD LENGTH
10FT (305CM)



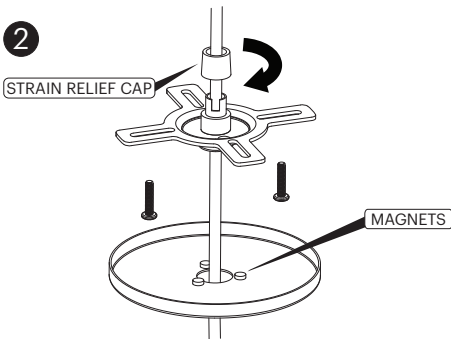
CARE INSTRUCTIONS
WIPE CLEAN WITH A SOFT DAMP CLOTH.
AVOID AMMONIA-BASED CLEANERS.

1

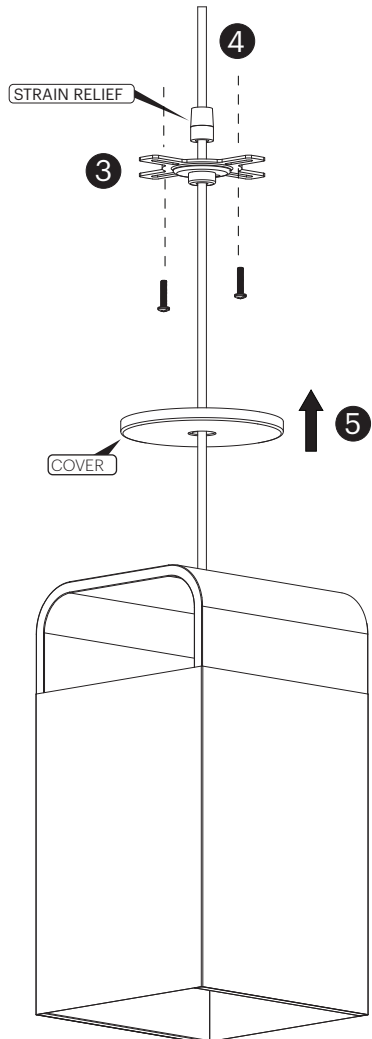


NOTE: BEFORE CUTTING, WRAP CORD WITH ELECTRICAL TAPE TO PREVENT THE FABRIC SLEEVE FROM FRAYING

2



IMPORTANT: WE RECOMMEND CEILING MOUNTING BE INSTALLED BY AN ELECTRICIAN

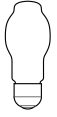


TUBE TOP PENDANT

1. LAYOUT MOUNTING LOCATIONS FOR CABLE SUSPENSION KIT
2. INSTALL CABLE SUSPENSION KIT
3. HANG LAMP BODY BY INSERTING CABLES INTO CABLE LOCKS.
DEPRESS NIPPLE ON CABLE LOCK TO ADJUST TO DESIRED HEIGHT
4. ATTACH MOUNTING PLATE TO JUNCTION BOX
5. FEED CORD THROUGH COVER AND MOUNTING PLATE; CUT THE CORD PROVIDING 1" (25.5MM) TO 2" (50.8MM) SWAG
6. CONNECT TO BUILDING WIRING
7. SLIDE COVER UP TO CEILING
8. TRIM EXCESS CABLE WITH WIRE CUTTERS

BULB TYPE

TTP 14: 2X 57W BT - 15/120V HALOGEN
TTP 18: 2X 57W BT - 15/120V HALOGEN
TTP 36: 4X 95W BT - 15/120V HALOGEN



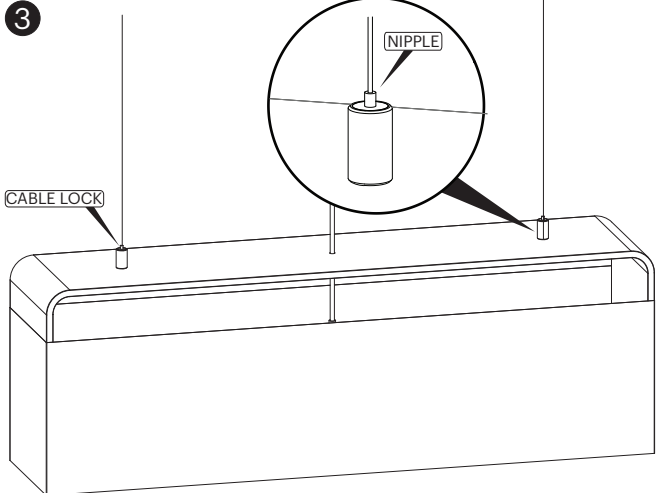
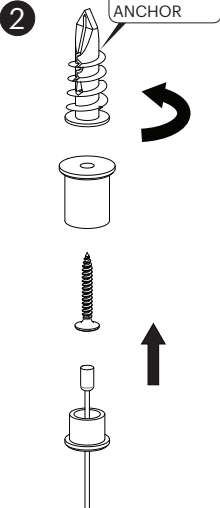
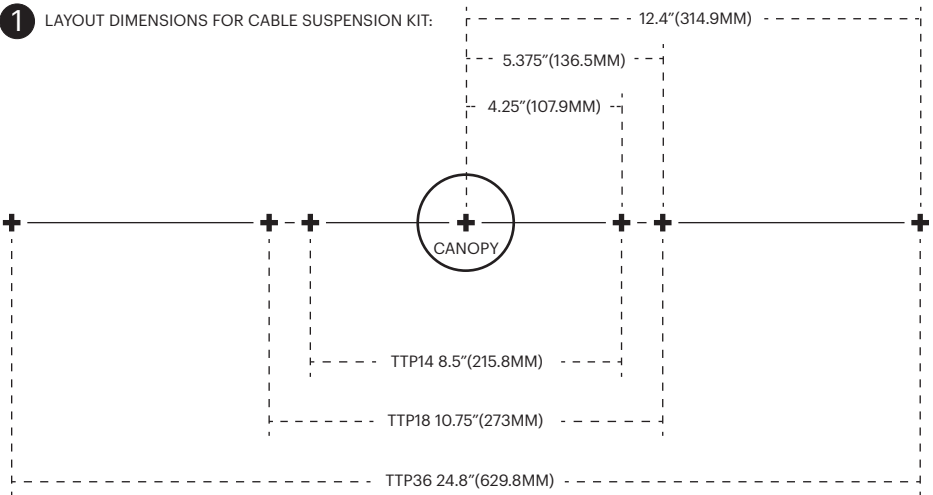
CORD LENGTH

10FT (305CM)

CARE INSTRUCTIONS

WIPE CLEAN WITH A SOFT DAMP CLOTH.
AVOID AMMONIA-BASED CLEANERS.

1 LAYOUT DIMENSIONS FOR CABLE SUSPENSION KIT:



TUBE TOP PENDANT

1. LAYOUT MOUNTING LOCATIONS FOR CABLE SUSPENSION KIT
2. INSTALL CABLE SUSPENSION KIT
3. HANG LAMP BODY BY INSERTING CABLES INTO CABLE LOCKS.
DEPRESS NIPPLE ON CABLE LOCK TO ADJUST TO DESIRED HEIGHT
4. ATTACH MOUNTING PLATE TO JUNCTION BOX
5. FEED CORD THROUGH COVER AND MOUNTING PLATE; CUT THE CORD PROVIDING 1" (25.5MM) TO 2" (50.8MM) SWAG
6. CONNECT TO BUILDING WIRING
7. SLIDE COVER UP TO CEILING
8. TRIM EXCESS CABLE WITH WIRE CUTTERS

BULB TYPE

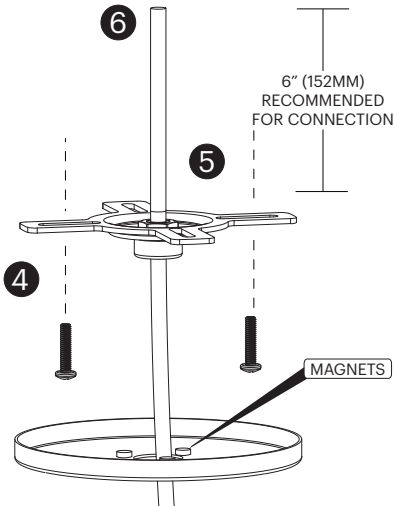
TTP 14: 2X 57W BT - 15/120V HALOGEN
TTP 18: 2X 57W BT - 15/120V HALOGEN
TTP 36: 4X 95W BT - 15/120V HALOGEN



LENGTH OF CORD SUPPLIED
10FT (305CM)

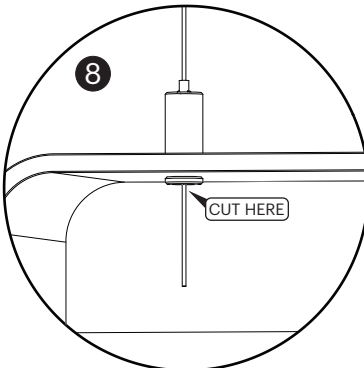
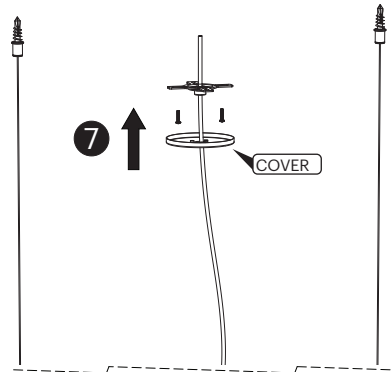
CARE INSTRUCTIONS

WIPE CLEAN WITH A SOFT DAMP CLOTH.
AVOID AMMONIA-BASED CLEANERS.



NOTE: BEFORE CUTTING, WRAP CORD WITH ELECTRICAL TAPE TO PREVENT THE FABRIC SLEEVE FROM FRAYING

**IMPORTANT: WE RECOMMEND CEILING MOUNTING
BE INSTALLED BY AN ELECTRICIAN**



NOTE: CUT THE CABLE FLUSH TO THE BOTTOM
OF THE CABLE LOCK AND THEN LOWER THE LAMP
TO HIDE THE EXPOSED CABLE END

